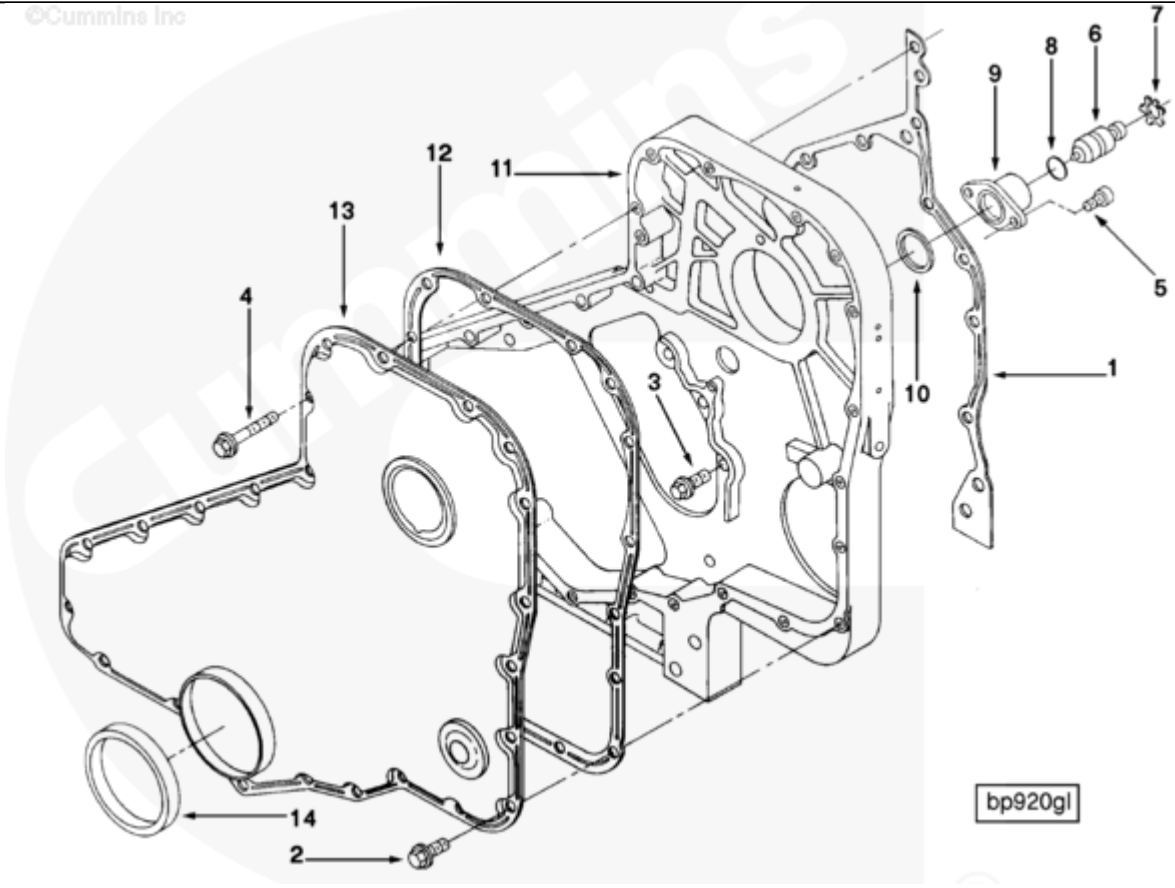




## Parts Catalog - Option Detail

Electronic Parts Catalog - Option Detail				
Option	Group	Graphic	Film Card	Date
BP9732-04	01.06	bp920gl	Z	19-SEP-94
<b>Engines</b>	6C8.3, C GAS PLUS CM556, G8.3, G8.3 CM558, GTA8.3 CM558, ISC CM2150, ISC CM554, ISC CM850, ISC8.3 CM2250, ISC8.3 G CM2180 C101, ISL CM2150, ISL CM554, ISL CM850, ISL G CM2180, ISL8.9 CM2150 L110, ISL8.9 CM2880 L112, ISL9 CM2150 SN, ISL9 CM2250, ISL9 CM2350 L101, ISL9 CM2350 L111, ISLE4 CM850, L GAS PLUS CM556, L8.9, L8.9 L121, L8.9G CMOH2.0 L125B, L9 CM2350 L116B, L9 CM2350 L119B, L9 CM2350 L120C, L9 CM2350 L123B, L9.3 L105, L9.5 L117, L9N CM2380 L124B, QSC8.3 CM2250, QSC8.3 CM2880 C102, QSC8.3 CM554, QSC8.3 CM850(CM2850), QSL9 CM2250, QSL9 CM2250 L115, QSL9 CM2350 L102, QSL9 CM2350 L107, QSL9 CM2350 L118, QSL9 CM2350 L122, QSL9 CM554, QSL9 CM850(CM2850), QSL9 G CM558, QSL9 M CM2250 L106, QSL9.3 CM2880 L113			



SMALL | MEDIUM | LARGE

Cart	Ref No	Part Number	Part Description	Required	Remarks
View My Cart					
		BP9732-04	Front Gear Cover		
					Engine Family: C Series
					Dampening Noise Panel

					Provided: No
					PTO Location: High
					Front Support Provision:
					Yes
					Access for Tach Drive: Yes
					Gear Housing Material:
					Cast Aluminum
					Structure Code: 02 EBM
					Restricted Fuel Pump:
					Bosch A
					Bosch MW
					Nippendenso EP-9
					3917779 gasket and 3916192
					gear cover may be
					substituted by Brazil for
					3925231 gear cover.
<input type="checkbox"/>	1	<a href="#">3926757</a>	Gear Housing Gasket	1	
<input type="checkbox"/>	2	<a href="#">3925883</a>	Hexagon Flange Head Cap Screw	17	M8 X 1.25 X 16
<input type="checkbox"/>	3	<a href="#">3926846</a>	Hexagon Flange Head Cap Screw	5	M8 X 1.25 X 20.
<input type="checkbox"/>	4	<a href="#">3926863</a>	Hexagon Flange Head Cap Screw	6	M8 X 1.25 X 50.
<input type="checkbox"/>	5	<a href="#">3907998</a>	Round Head Cap Screw	2	M5 x 0.80 x 17
<input type="checkbox"/>		<a href="#">3913995</a>	Timing Pin Housing	1	Purchase Individual Parts
<input type="checkbox"/>	6	<a href="#">3903924</a>	Timing Pin	1	
<input type="checkbox"/>	7	<a href="#">3904849</a>	Retaining Ring	1	
<input type="checkbox"/>	8	<a href="#">3913994</a>	O-Ring Seal	1	
<input type="checkbox"/>	9	<a href="#">3919683</a>	Timing Pin Housing	1	
<input type="checkbox"/>	10	<a href="#">3915772</a>	Rectangular Ring Seal	1	
<input type="checkbox"/>	11	<a href="#">3926719</a>	Gear Housing	1	
12					Not Used In This Option

		<a href="#">3926841</a>	Gear Cover	1	
	13	<a href="#">3925231</a>	Gear Cover	1	
	14	<a href="#">3921927</a>	Oil Seal	1	

© 2019 Cummins Inc., Box 3005, Columbus, IN 47202-3005 U.S.A.  
Terms of Use and Disclaimers | Recommended System Requirements  
Need Assistance? Please click on the Contact Us button in the top right corner of any page.